

ATTN. MR. MALKUSCH

'96年04月30日(火) 16:52 宛先 JB

発番 03 3488 2165

P11/14

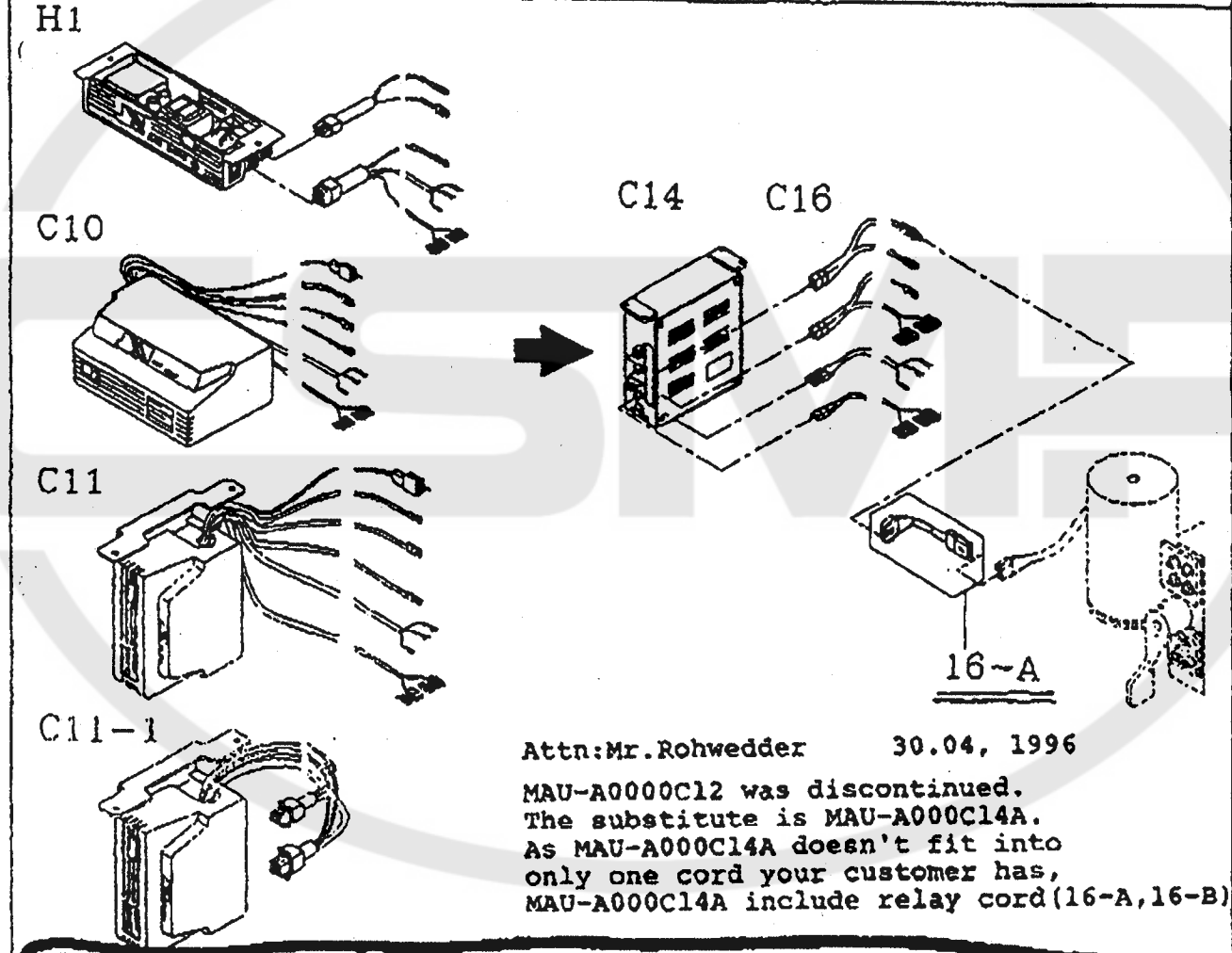
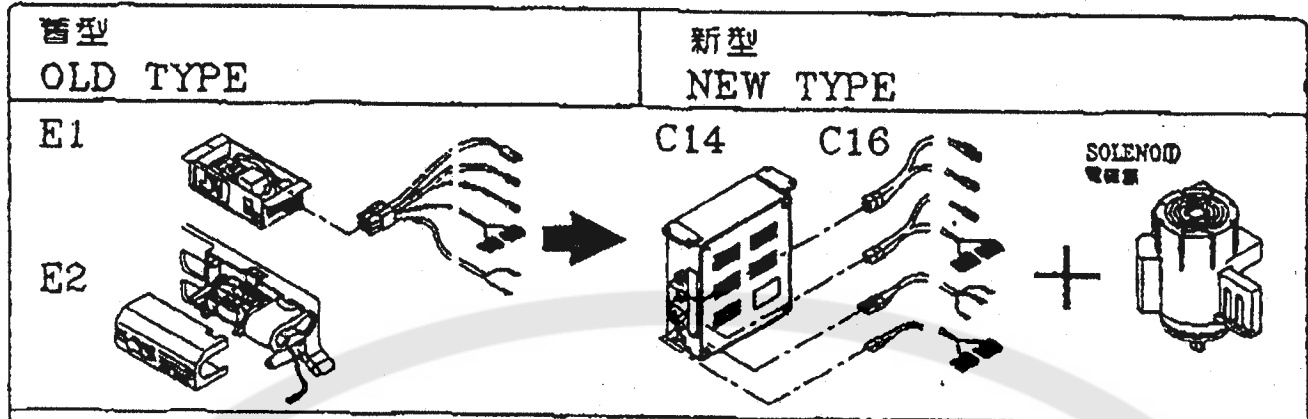
毕志

新舊控制盒更換對照表

REPLACEMENT FOR CONTROL BOX

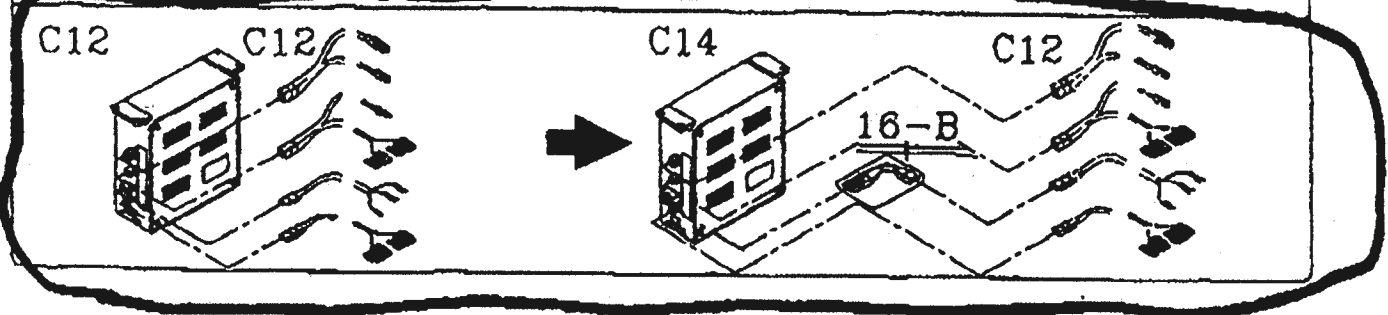
(1995.07.28)

11/13

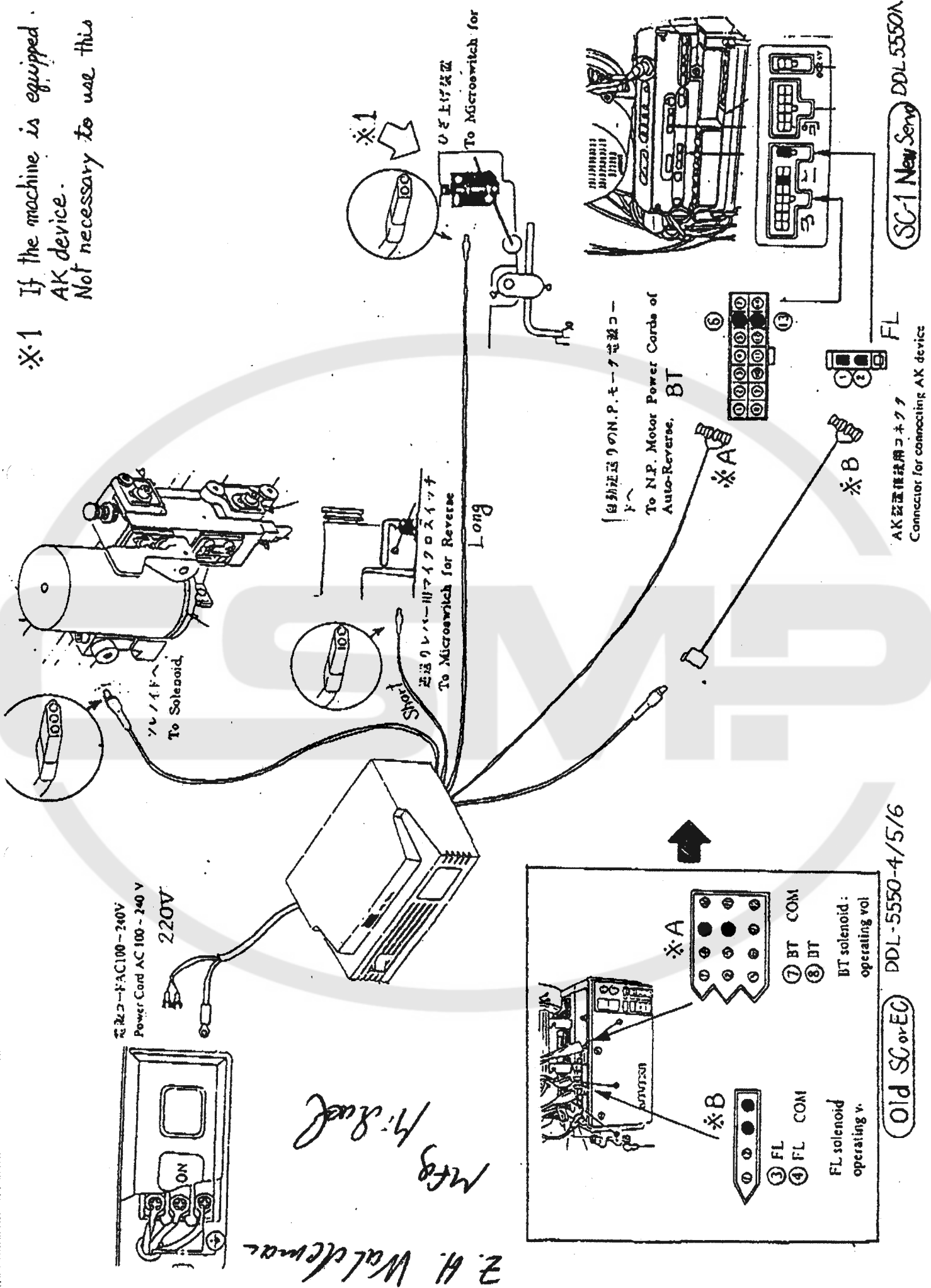


Attn: Mr. Rohwedder 30.04, 1996

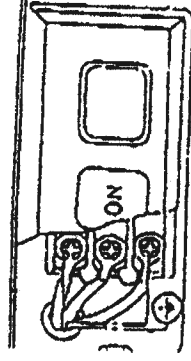
MAU-A000C12 was discontinued.
 The substitute is MAU-A000C14A.
 As MAU-A000C14A doesn't fit into
 only one cord your customer has,
 MAU-A000C14A include relay cord (16-A, 16-B). SAKU



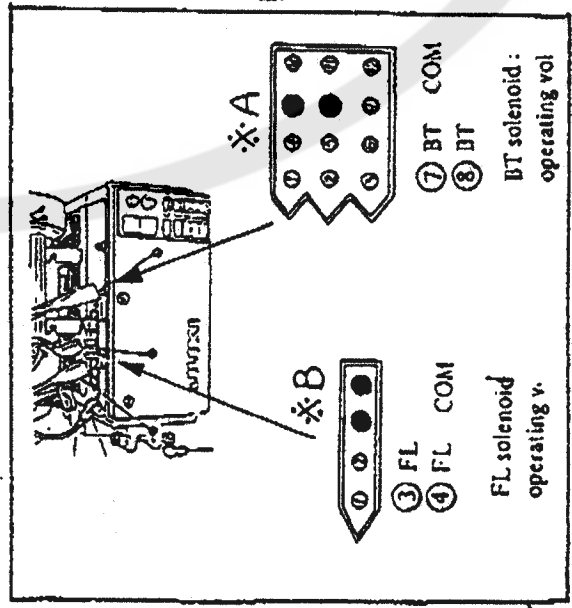
*1 If the machine is equipped with AK device. Not necessary to use this



電源コード AC100-240V
Power Cord AC 100-240 V
220V



Z. H. Waldemar
Mfg H. Saef



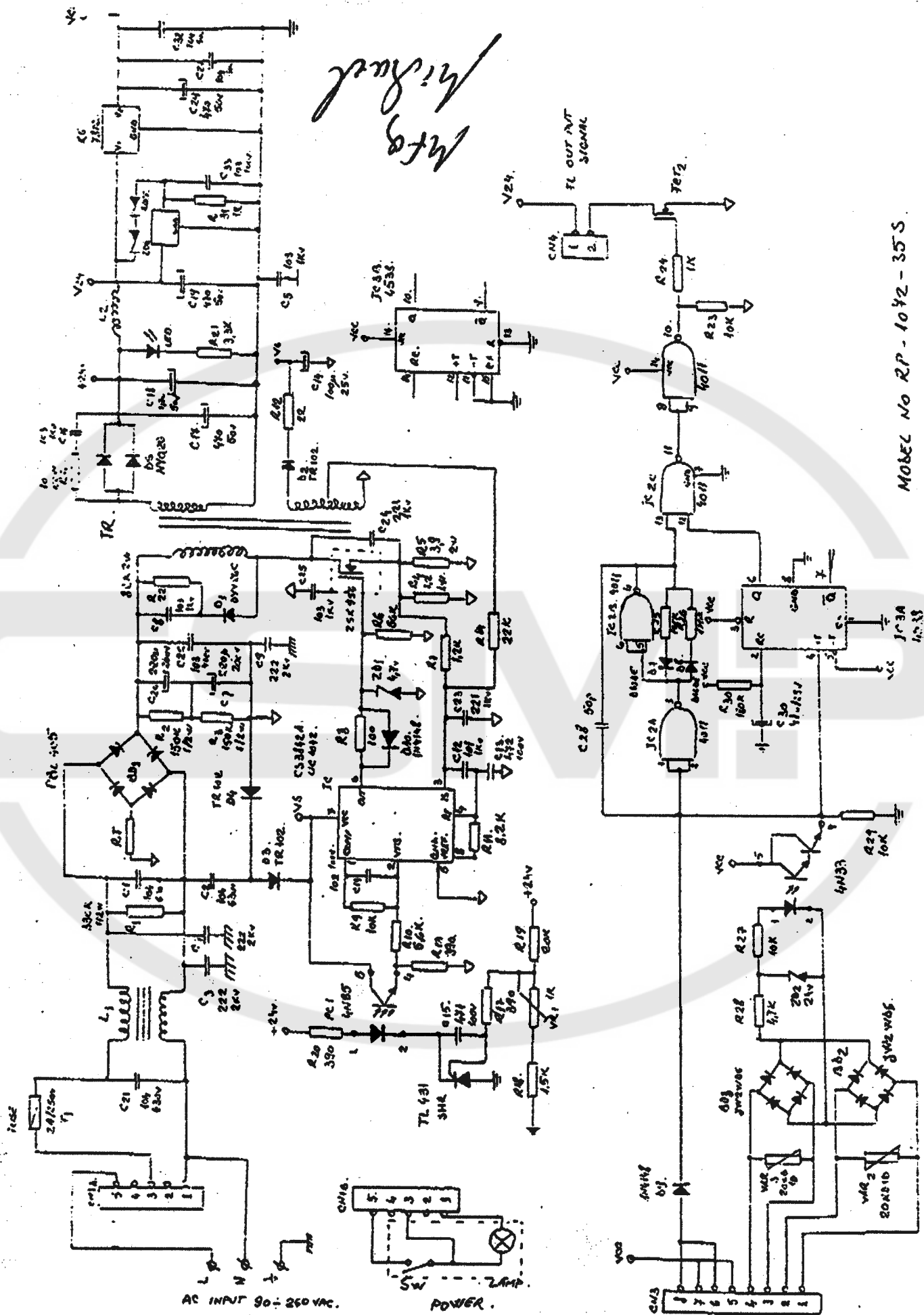
DDL-5550-4/5/6

Old SC or EG

SC-1 New Sewo DDL5550A

AK 装置接続用コネクタ
Connector for connecting AK device

Mfg Michael



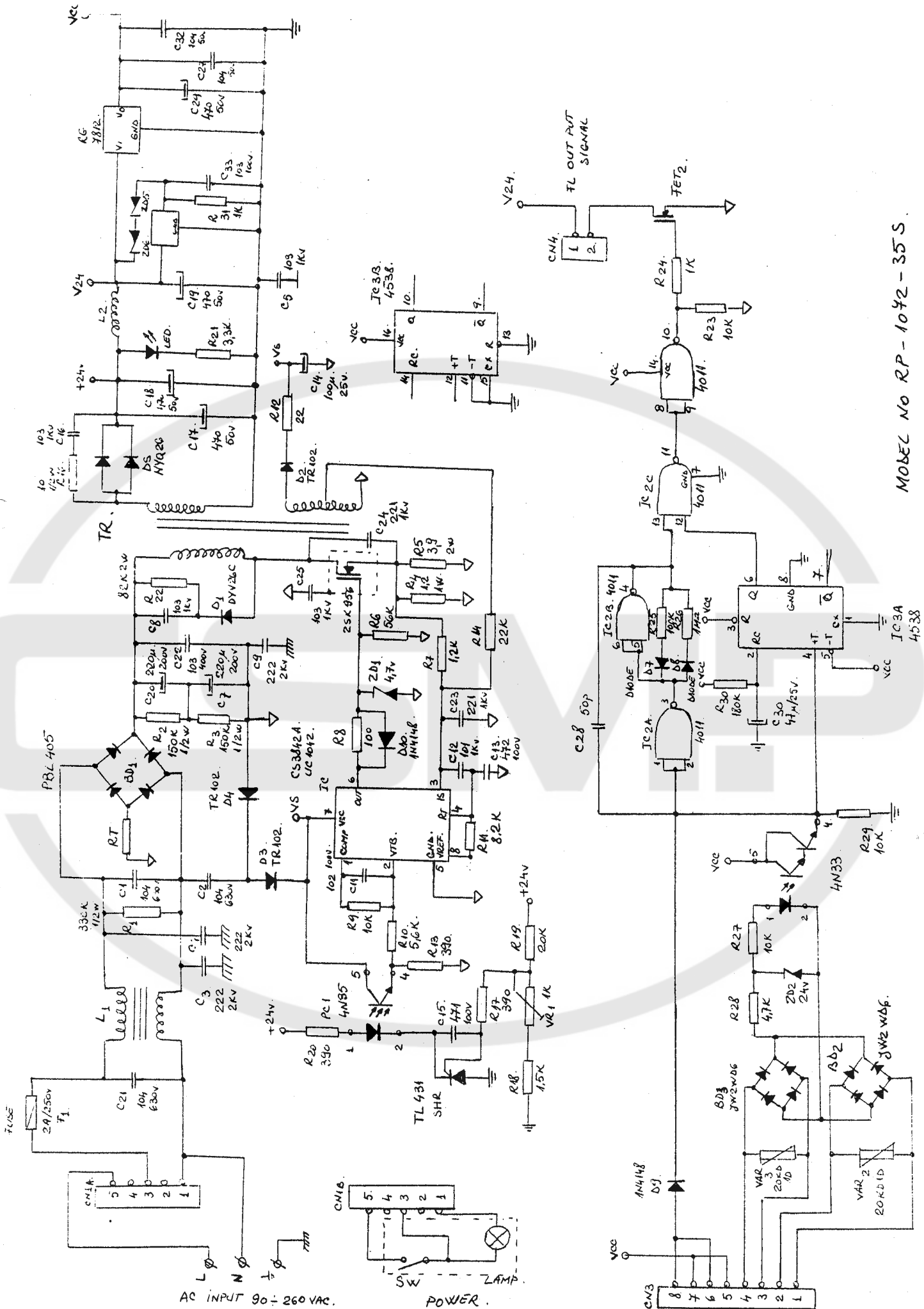
AC INPUT 90-260VAC.

POWER.

① BT. SIGNAL FOR ERROR (AUTO REVERSE)
 ② TL. SIGNAL FOR ERROR

Z. H. Waldemar

MODEL NO RP-1042-355



MODEL NO RP-1042-35S

- 1) DT. SIGNAL FOR EFKA (AUTO REVERSE)
- 2) FL. SIGNAL FOR EFKA
- 3) SW FOR PRESSER FOOT
- 4) SW FOR MANUAL REVERSE.

